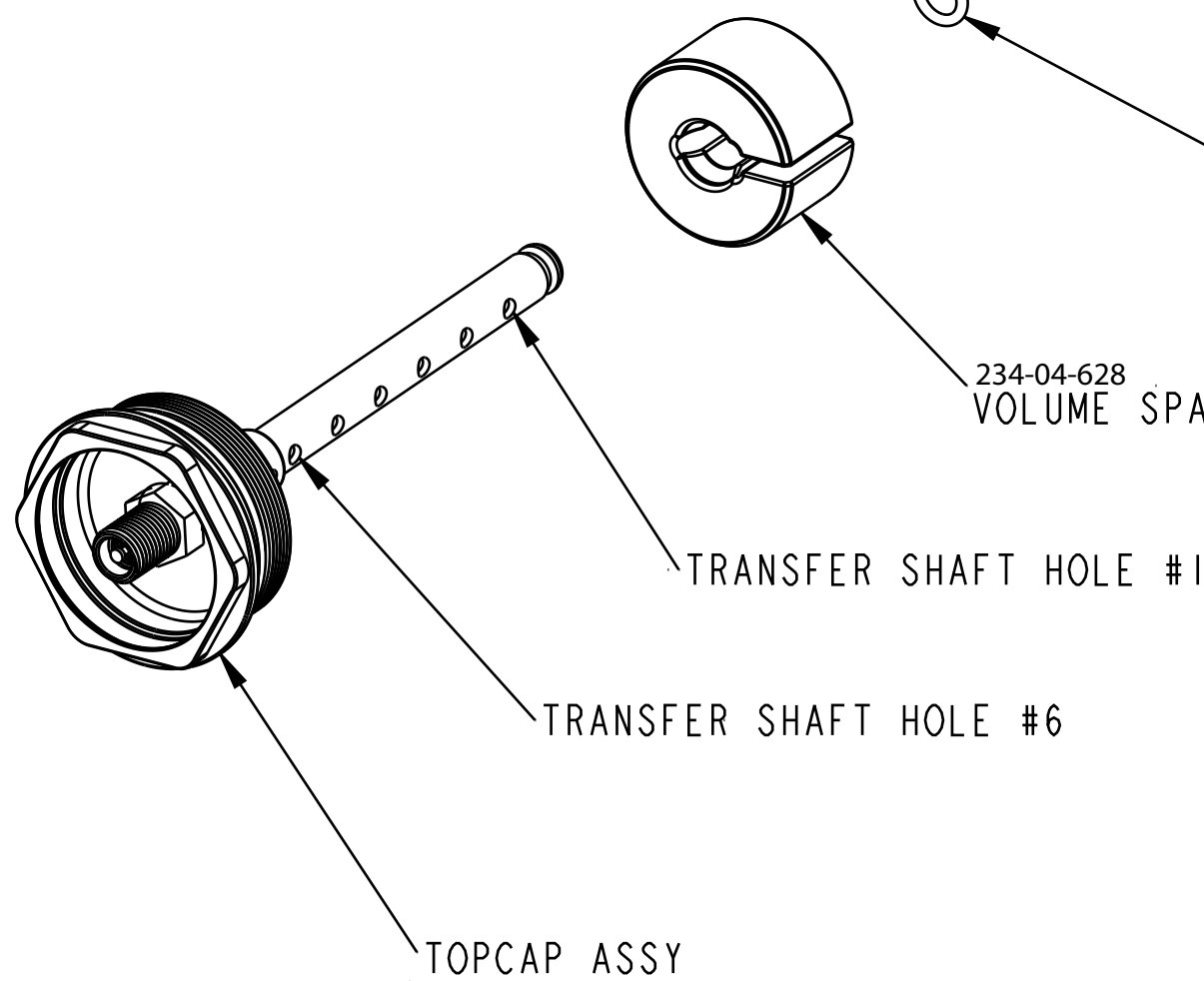
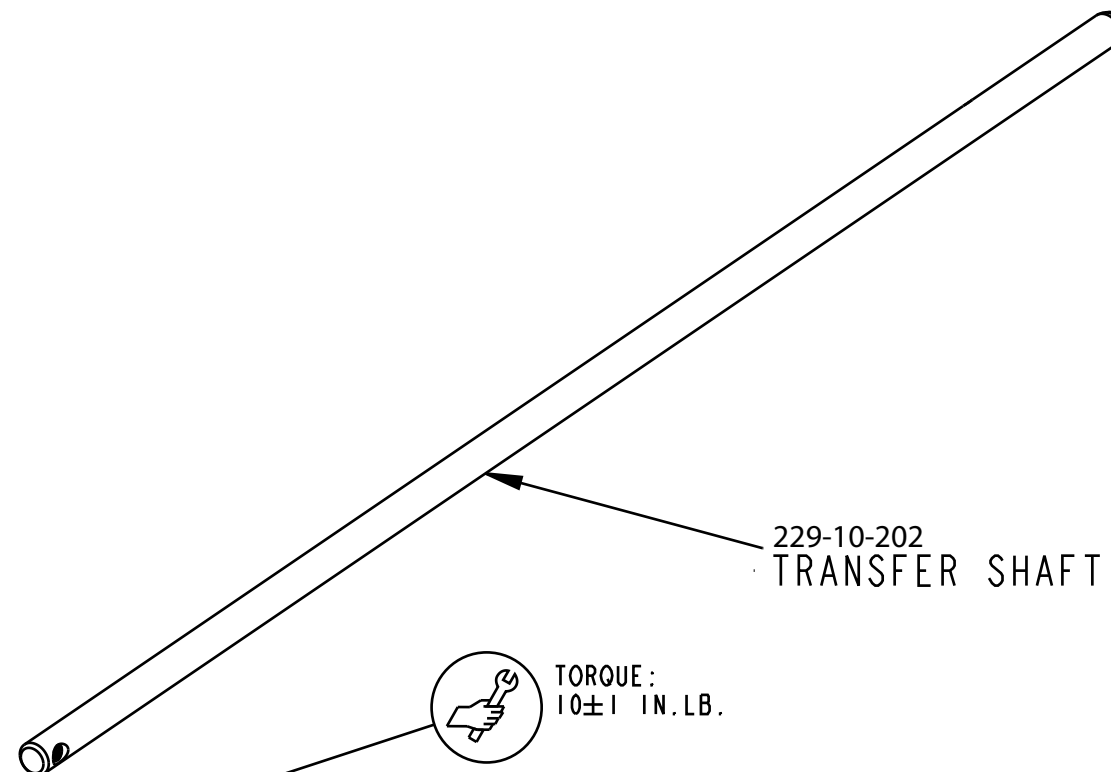
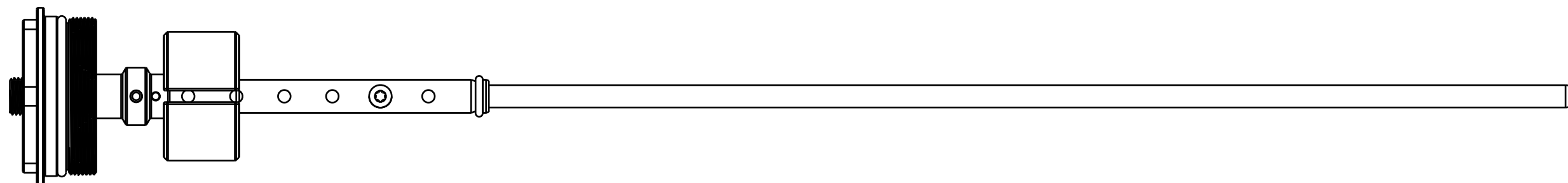


4

3

2

1



229-10-202  
TRANSFER SHAFT

TORQUE:  
10±1 IN.LB.

241-02-093  
FASTENER, CUSTOM, SCREW, M2.5 X 16, FHCS, BLACK ZINC

029-08-088  
O-Ring [5.5mm X 1.5mm CS] Metric, N-70, Static

234-04-628  
VOLUME SPACER

TRANSFER SHAFT HOLE #1

TRANSFER SHAFT HOLE #6

TOPCAP ASSY

**FOX** FOX Factory, Inc. Ph 831-768-1100  
130 Hangar Way, Watsonville, CA 95076 USA Fax 831-768-9312

TITLE  
**36 Topcap,  
FLOAT NA**

SIZE DWG. NO.  
**C**  
PLOT SCALE | .00:1 | SHEET 1 OF 1

- PROPRIETARY -  
THIS DOCUMENT CONTAINS CONFIDENTIAL, PROPRIETARY INFORMATION  
THAT IS FOX PROPERTY. DO NOT DISCLOSE TO OR DUPLICATE  
FOR OTHERS EXCEPT AS AUTHORIZED BY FOX.

4

3

2

1

ProE ASSEM